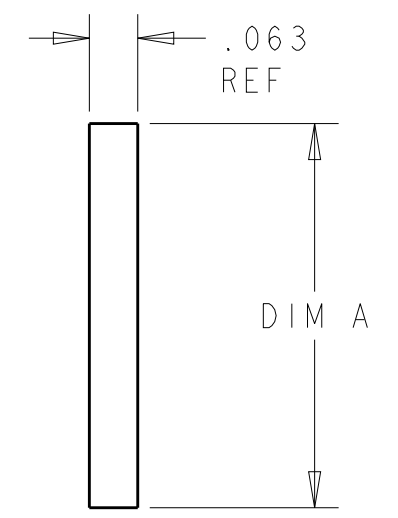
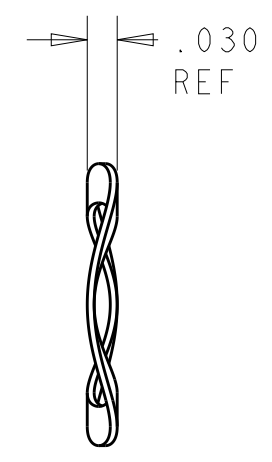
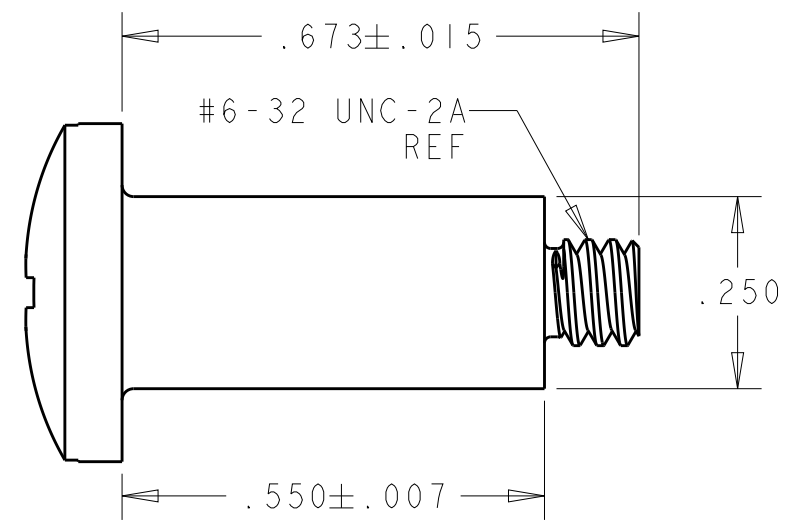
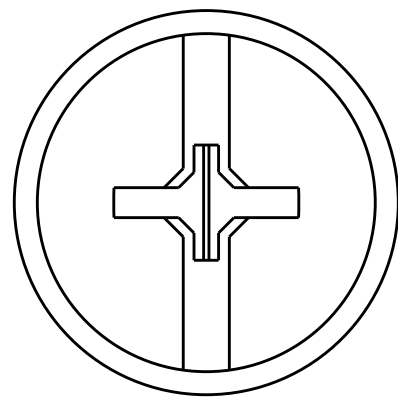
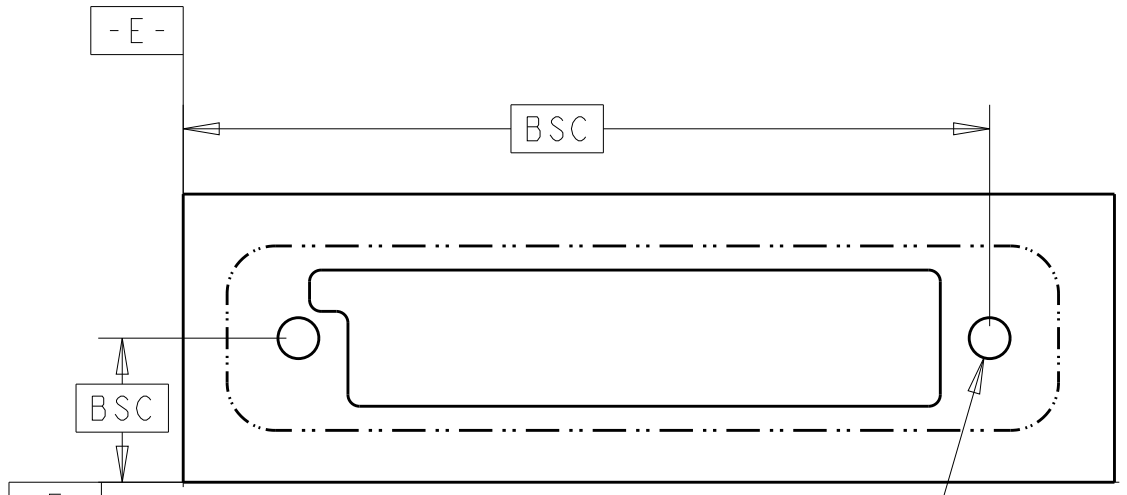


THIS DRAWING IS UNPUBLISHED. RELEASED FOR PUBLICATION 20
 © COPYRIGHT 20 BY - ALL RIGHTS RESERVED.

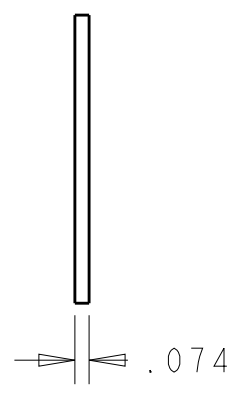
REVISIONS					
P	LTR	DESCRIPTION	DATE	DWN	APVD
	9	ADD NEW DASH NUMBERS	25MAY2014	CZ	SZ



- ① ONE(1) KIT CONSISTS OF TWO(2) EACH OF EACH PART SHOWN.
- ② BULK PACKAGED.KITS TO BE ORDERED IN MULTIPLES OF 100.
- ③ SHOULDER SCREW: STAINLESS STEEL 303
WAVE SPRING WASHER: SPRING STEEL S50C
FLAT WASHER: STAINLESS STEEL 303
- ④ RECOMMEND TO USE PEMCERT SELF-CLINCHING FLUSH NUTS,
PEM PART NUMBER:F-632-1



$\varnothing .213^{+.003}_{-.000}$
 $\varnothing .004 \text{ (S) E F}$
 2PLC



BULK		.405	1600000-4
KIT		.405	1600000-3
BULK	②	.500	1600000-2
KIT	①	.500	1600000-1
DESCRIPTION		DIM A	PART NUMBER

IF USE PEMCERT SELF-CLINCHING FLUSH NUT,
 PLEASE REFER TO THIS PANEL MOUNTING HOLE
 DIMENSIONS.OTHER DIMENSIONS PLEASE REFER TO
 C-DRAWING OF DETAIL PART.

THIS DRAWING IS A CONTROLLED DOCUMENT.		DWN HESPER LIU 2SEP2008	TE Connectivity	
		CHK SUNY ZHAO 2SEP2008		
DIMENSIONS: INCHES		TOLERANCES UNLESS OTHERWISE SPECIFIED: 0 PLC ±.1 1 PLC ±0.1 2 PLC ±0.02 3 PLC ±0.005 4 PLC ±0.0005 ANGLES ±		NAME HARDWARE KIT PANEL MOUNT MULTI-BEAM
MATERIAL ③		FINISH -		SIZE A3
		PRODUCT SPEC -		CAGE CODE -
		APPLICATION SPEC -		DRAWING NO C-1600000
		WEIGHT -		RESTRICTED TO -
CUSTOMER DRAWING		SCALE 1:1	SHEET 1 OF 1	REV 9